



196.4201 | 3/4" Thermostatic Valve With Trim

**SPECIFICATIONS:**

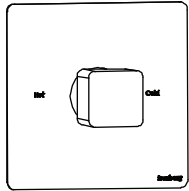
- Turn Handle to control temperature.
- Includes Thermostatic valve (TVH.4201) w/ service stops
- Thermostatic Valve Flow Rate - 13.0 GPM @ 60 PSI
- Extension Available - TVH.E185E\*\*

**STANDARDS:**

- ASME A112.18.1 / CSA B125.1

**FAST SHIP FINISHES :**

- Chrome - 196.4201CP / Brushed Nickel - 196.4201BN



Trim  
[ 196.4201T\*\* ]



Valve  
[ TVH.4201 ]

\*\* Denotes Finish (CP, BN, etc.)

Belgian Mirror Finish



Legislation Compliance

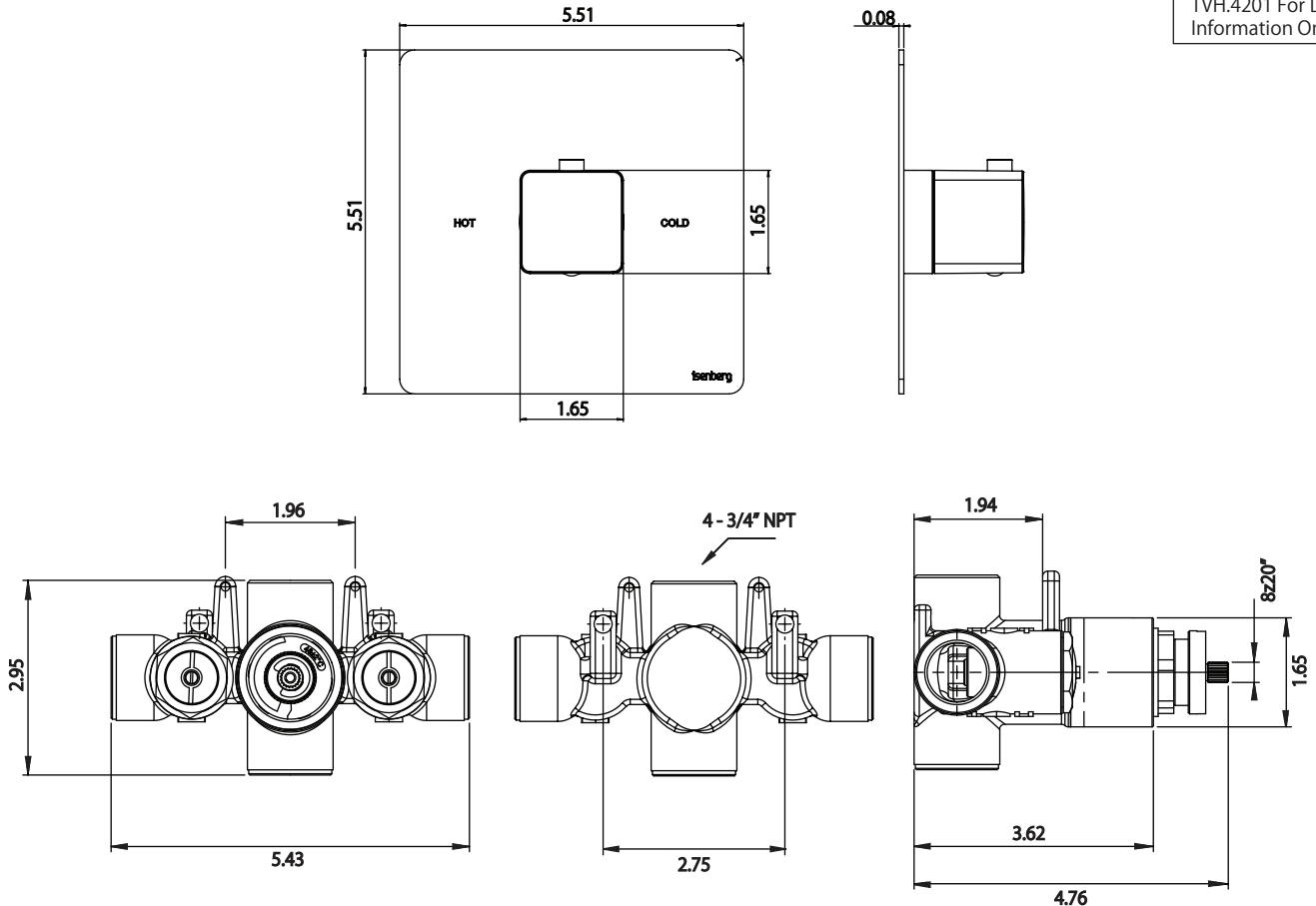


ZeroDrip Technology



**Technical Diagram**

See Spec Sheet For  
TVH.4201 For Detailed  
Information On Valve.



TVH.4201 | 3/4" Thermostatic Valve Page 1 of 2

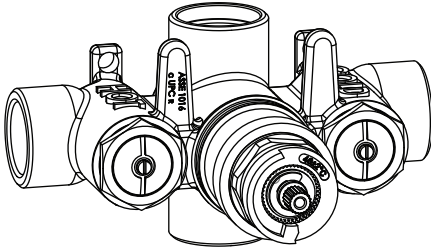


SPECIFICATIONS:

- Turn knob to control temperature.
- Thermostatic Valve Flow Rate - 13.0 GPM @ 60 PSI

STANDARDS:

- ASME A112.18.1 / CSA B125.1



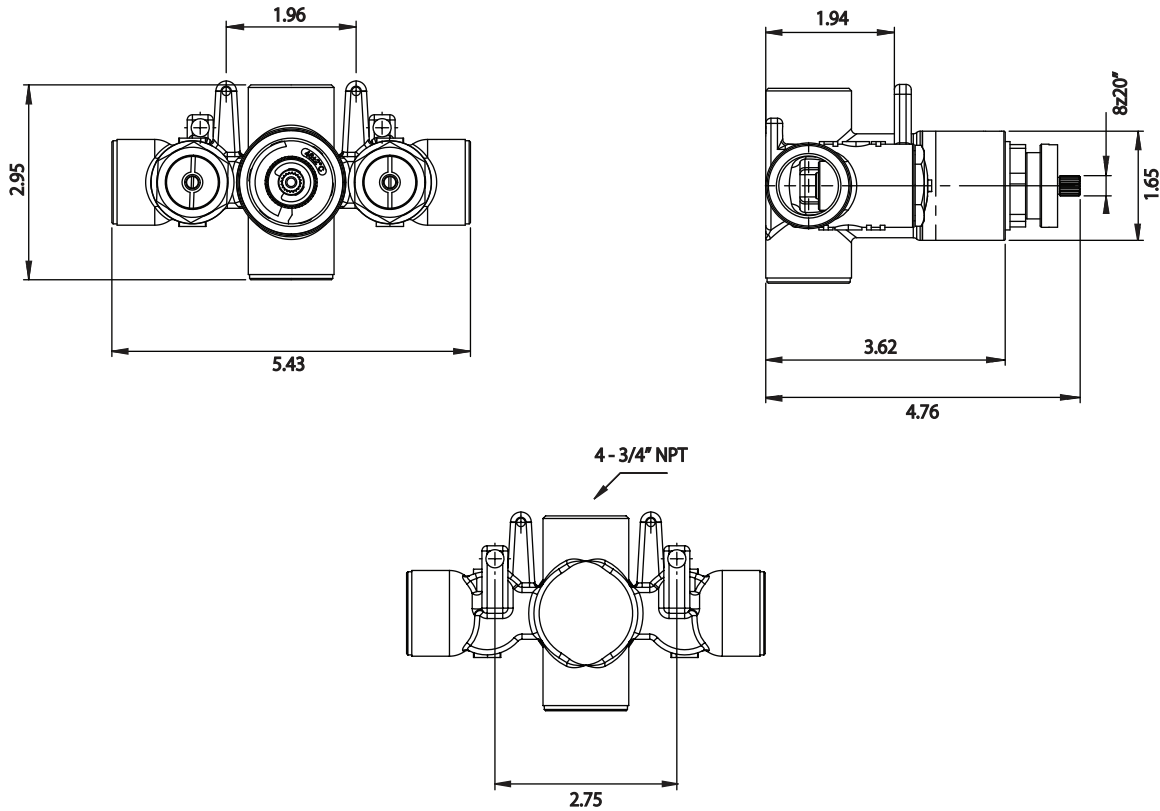
Legislation Compliance



ZeroDrip Technology



Technical Diagram



TVH.4201 | 3/4" Thermostatic Valve Page 2 of 2



Water Flow Diagram

